



ONE PROFILE SYSTEM FOR ALL CASES

MiniTec Profile System



PRODUCTS



SOLUTIONS



SERVICE



MiniTec Facts & figures

THE ART OF SIMPLICITY

MiniTec has continuously developed from a specialist for miniature guides to a leading technology company and special equipment manufacturer


Today 400 experts at 11 locations in Germany, France, USA, United Kingdom, Spain, Slovenia and China develop tailor-made solutions for our customers. At the same time, more than 60 partners worldwide ensure reliable service and competent technical support.


Our solutions are just as individual as our customers' requirements. As a full-service manufacturer, we use our design system to implement intelligent systems and special machines for a wide variety of tasks in all important industrial sectors: from automotive, chemicals and electrical engineering to energy supply, aerospace, mechanical engineering, the metal and pharmaceutical industries.

 **1986**
Founded

 **420**
Employees
280 in Germany

 **60**
Sales and service partners
around the world

 **Business award**
„Innovativer Mittelstand“
Award
„Attraktiver Arbeitgeber
Rheinland-Pfalz“
Honorary award
of the region Westpfalz

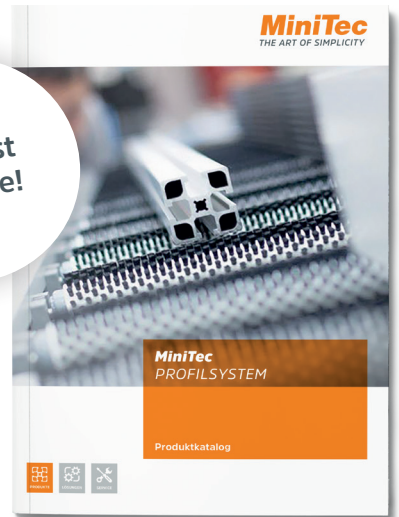
 **11**
Locations
Germany, France, Slovenia,
United Kingdom, Spain, USA,
China

LARGE SELECTION FOR EVERY NEED

THE CONSTRUCTION KIT FOR ENGINEERS

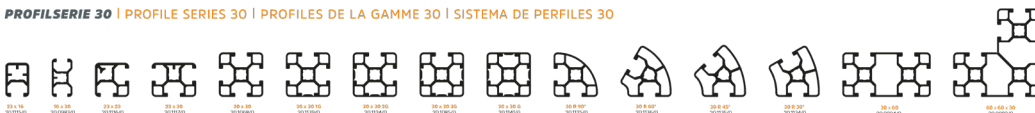
Flexible and robust, a large selection of ergonomically designed profiles and components is available to you. To ensure that you are optimally equipped for your application now and in the future, we stock our aluminum profiles in various sizes and geometries that can be combined and are compatible with each other in any way - this means that there are no limits to the possible applications of the MiniTec modular profile system.

From the 45x45 profile to the 45x60 profile to the 90x90 profile: the groove of the aluminum profiles is designed within the respective series so that they can be combined with each other as desired. Thanks to intelligent connection technology with our patented connector, this is achieved completely without machining. With only one screw and nut size and one tool, constructions can be realized completely flexible.

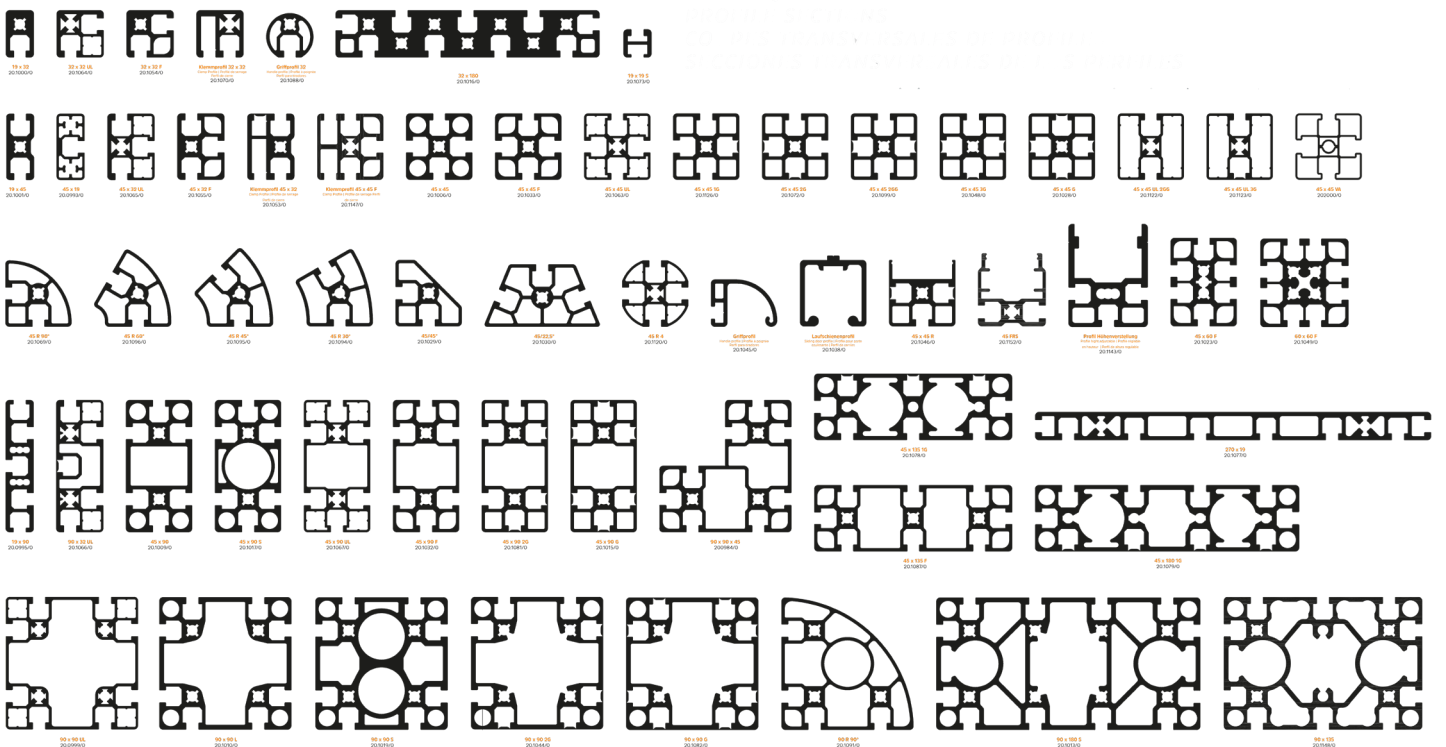


request
for free!

PROFILSERIE 30 | PROFILE SERIES 30 | PROFILES DE LA GAMME 30 | SISTEMA DE PERFILES 30



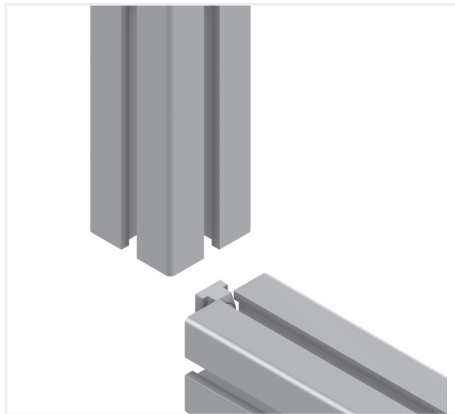
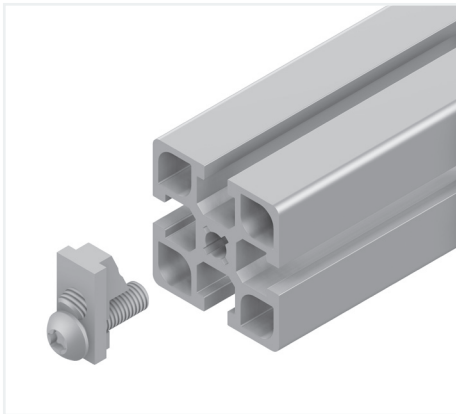
PROFILSERIE 45 | PROFILE SERIES 45 | PROFILES DE LA GAMME 45 | SISTEMA DE PERFILES 45



THE PERFECT BASE FOR A WIDE RANGE OF APPLICATIONS

With the MiniTec profile connector, constructions can be assembled easily and without machining thanks to the self-tapping screw. Subsequent connections of several profiles are also possible, while the corners of the joints remain free for panel elements and the connection is invisible from the outside.

The profile connector is simply screwed into the profile cross-section of the profile with a self-tapping screw and pushed into the groove of the profile to be connected. The M8 grub screw then creates a non-positive and ESD-compliant connection between the two profiles; drilling is unnecessary. Therefore, a design can still be changed or extended subsequently and without leaving any traces. Overall, the drawing, measuring and machining effort is reduced to a minimum.



KEY FEATURES

- no drilling
- subsequent shifting and adjustment possibility
- electrically conductive
- short assembly times



EXPLOIT OPTIMIZATION POTENTIAL CLEVER CONNECTION WITH MINITEC

In addition to our patented profile connector, MiniTec screws and nuts, miter connectors, clamping strips as well as mounting brackets and our other fasteners offer a wide range of applications and combinations of aluminum profiles. Convince yourself here of our portfolio of profile fasteners and their easy handling.



iCAD Assembler

Our CAD tool iCAD Assembler is the logical complement to the hardware of our construction kit. Only the combination of hardware and software opens up the full potential for rational mechanical engineering. We offer our customers free training courses at individually arranged dates in our company. You will receive valuable tips and tricks to benefit even faster from the advantages of our modular profile system.

- System-independent 3D design tool
- Electronic catalog
- Direct interfaces to all common CAD systems
- Automatic parts list
- Integrated plausibility check
- Automatic machining drawings
- Configurators for workstations, linear axes, conveyors, roller conveyors, guards

LOCATIONS WORLDWIDE

MINITEC GMBH & CO. KG (GERMANY)

MiniTec Allee 1 | 66901 Schönenberg-Kübelberg
Tel. +49 6373 81270 | Fax +49 6373 812720
info@minitec.de | www.minitec.de

MINITEC GMBH & CO. KG (GERMANY)

Nickelsweiher 6 | 66914 Waldmohr
Tel. +49 6373 81270 | Fax +49 6373 812720
info@minitec.de | www.minitec.de

MINITEC GMBH & CO. KG (GERMANY)

Fürther Straße 33 | 90513 Zirndorf
Tel. +49 911 2789000 | Fax +49 911 27890099
zirndorf@minitec.de | www.minitec.de

MINITEC SMART SOLUTIONS GMBH (GERMANY)

Zollamtstraße 7 | 67663 Kaiserslautern
Tel. +49 6373 8127 350 | Fax +49 6373 812720
kontakt@mss-digital.de | www.minitec-smart-solutions.net

MINITEC BERLIN GMBH (GERMANY)

Volmerstraße 13 | 12489 Berlin
Tel. +49 30 2359 8000
berlin@minitec.de | www.minitec.de

MINITEC ESPAÑA S.L.U. (ESPAÑA)

C/ Carlos Jiménez Díaz, 7. Pol. Ind. La Garena
28806 Alcalá de Henares, Madrid
Tel. +34 916 562 652
info@minitec.es | www.minitec.es

MINITEC S.N.C. (FRANCE)

2, rue Charles Desgranges | 57214 Sarreguemines
Tel. +33 387 276870 | Fax +33 387 276877
info@minitec.fr | www.minitec.fr

MINITEC.AT GMBH (AUSTRIA)

Beethovenstraße 12 | 2380 Perchtoldsdorf
Tel. +43 1 8659559
office@minitec.at | www.minitec.at

MINITEC 4NAG (SWITZERLAND)

Honeywell-Platz 1 | 8157 Dielsdorf
Tel. +41 44 5751500 | Fax +41 44 5751501
info@minitec.ch | www.minitec.ch

MINITEC SOLUTIONS SRL ROMÂNIA (ROMÂNIA)

Str. I.H. Pestalozzi Nr. 22 | Timisoara 300115
Tel. +40 722 229 134
office@minitec.ro | www.minitec.ro

MINITEC D.O.O. (SLOVENIJA)

Teharska cesta 41 | 3000 Celje
Tel. +386 59 071 390 | Fax +386 59 071 399
info@minitec.si | www.minitec.si

MINITEC SLOVAKIA S.R.O. (SLOVENSKO)

Rabčická 332 | 029 44 Rabča
Tel. +421 43 5524350 | Fax +421 43 5524352
info@minitec-slovakia.sk | www.minitec-slovakia.sk

MINITEC HELLAS S.A. (GREECE)

Ag. I. Theologou 115 | 13672 Acharnes, Athen
Tel. +30 210 2401444
info@minitechellas.gr | www.minitechellas.gr

MINITEC UK LTD. (UNITED KINGDOM)

Unit 1A & 1B Telford Road | Houndmills Industrial Estate
Basingstoke, Hampshire RG21 6YU
Tel. +44 1256 365 605
info@minitec.co.uk | www.minitec.co.uk

MINITEC FRAMING SYSTEMS LLC (USA)

5602 County Road 41 | 14425 Farmington, NY
Tel. +1 585 9244690 | Fax +1 585 9244821
sales@minitecframing.com | www.minitecframing.com

MINITEC AUTOMATION TECHNOLOGY (USA)

7214 Gateway Park drive | Clarkston, Michigan 48346
Tel. +1 248 620 1820 | Fax +1 248 620 0850
sales@minitecautomation.com | www.minitecautomation.com

MINITEC SYSTEM TECHNOLOGY CO. LTD. (PR CHINA)

Plant No. 10; No. 103 ChengMenJin Road | Taicang 215400
Tel. +86 512 5320 8880 | Fax +86 512 5320 8879
info@minitec.com.cn | www.minitec.com.cn

MINITEC SA (SOUTH AFRICA)

48 York Road, North End | Port Elizabeth 6000
Tel. +27 41 3914795
info@minitec.co.za | www.minitec.co.za



MiniTec-partners worldwide

Australia | Austria | Belgium | Bosnia and Herzegovina | Brazil | Bulgaria | Canada | China | Croatia
Czech Republic | Estonia | Finland | France | Greece | Hungary | India | Italy | Latvia | Liechtenstein
Lithuania | Luxembourg | Macedonia | Malaysia | Mexico | Montenegro | Netherlands | New Zealand
Poland | Portugal | Romania | Russia | Serbia | Singapore | Slovakia | Slovenia | South Africa | Spain
Sweden | Switzerland | Turkey | Ukraine | United Kingdom | USA | Vietnam